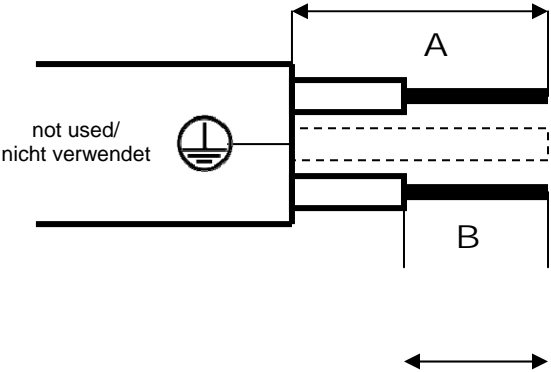
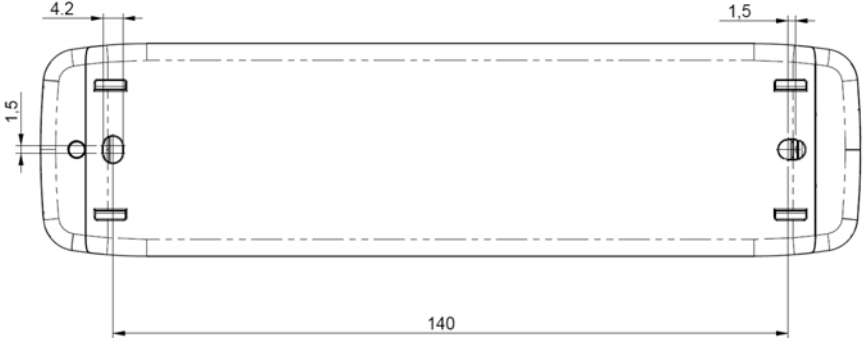
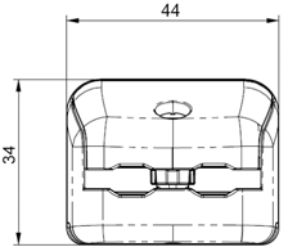
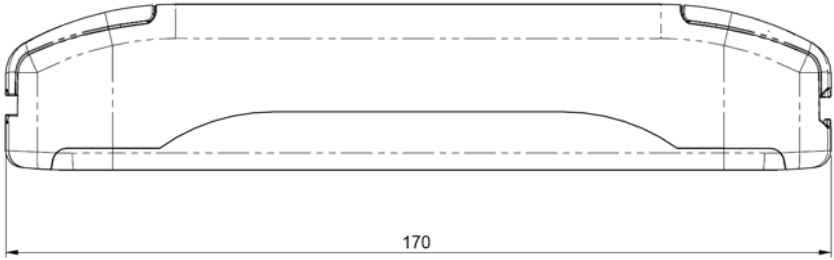


**Wire stripping / Abisolierung der Anschlussleitung:**

cable sheath / Kabelmantel = 14 mm [ A ]  
conductor / Leitungsadern = 8 mm [ B ]



**Geometry / Abmessungen:**



**Product label / Geräteaufdruck:**

**HALOTRONIC®**  
**HTL 105/230-240**  
 Electronic transformer 35-105 W  
 Dimmable with leading and trailing edge phase control

$t_c = 80^\circ\text{C max}$

Lamp[W]	U <sub>a</sub> [W]	I <sub>a</sub> [A]	f <sub>s</sub> [Hz]	$\lambda$	t <sub>a</sub> [°C]
35-105	230-240	0.16-0.5	0; 50-60	>0.95	50

Safety: EN 61347  
RFI: EN 55015

max. 12 A

Suitable for emergency installation  
Range of battery voltage: 176 to 275 V

SELV  
Made in Italy by OSRAM

CE

SEC 11.8 V ~ max. 2 m

**HALOTRONIC®**  
**HTL 225/230-240**  
 Electronic transformer 50-225 W  
 Dimmable with leading and trailing edge phase control

$t_c = 85^\circ\text{C max}$

Lamp[W]	U <sub>a</sub> [W]	I <sub>a</sub> [A]	f <sub>s</sub> [Hz]	$\lambda$	t <sub>a</sub> [°C]
50-225	230-240	0.25-1	0; 50-60	>0.95	50

Safety: EN 61347  
RFI: EN 55015

max. 16 A

Suitable for emergency installation  
Range of battery voltage: 176 to 275 V

SELV  
Made in Italy by OSRAM

CE

SEC 11.8 V ~ max. 2 m

**Wiring with dimmer / Verdrahtung mit Dimmer:**

