

**Improved  
Specifications**

# Genesys™

**Programmable DC Power Supplies  
2.4kW in 1U**

**Built in RS-232 & RS-485 Interface  
Advanced Parallel Operation  
Auxiliary Outputs 5V & 15V**

**Optional Interface:  
LXI Compliant LAN  
IEEE488.2 SCPI (GPIB) Multi-drop  
Isolated Analog Programming**



**Genesys™ Family  
GenH 750W Half Rack  
Gen1U 750/1500W Full Rack  
Gen2U 3.3/5kW**

**TDK-Lambda**

The Genesys™ family of programmable power supplies sets a new standard for flexible, reliable, AC/DC power systems in OEM, Industrial and Laboratory applications.

## Features include:

- High Power Density 2.4kW in 1U
- Wide Range of popular worldwide AC inputs, 1 $\phi$  (230VAC) & 3 $\phi$  (208VAC)
- Active Power Factor Correction (Single-Phase & Three-Phase AC Input)
- Output Voltage up to 600V, Current up to 300A
- Auxillary Outputs 5V/0.2A; 15V/0.2A for increased system control functionality
- Built-in RS-232/RS-485 Interface Standard
- Global Commands for Serial RS-232/RS-485 Interface
- Auto-Re-Start / Safe-Start: user selectable
- Last-Setting Memory
- High Resolution 16 bit ADCs & DACs
- Low Ripple & Noise
- Front Panel Lock selectable from Front Panel or Software
- Reliable Encoders for Voltage and Current Adjustment
- Constant Voltage/Constant Current auto-crossover
- Parallel Operation with Active Current Sharing; up to four identical units.
- Advanced Parallel Master / Slave. Total Current is Programmed and Measured via the Master.
- Independent Remote ON/OFF and Remote Enable/Disable
- External Analog Programming and Monitoring (user selectable 0-5V & 0-10V)
- Reliable Modular and SMT Design
- 19" Rack Mount capability for ATE and OEM applications
- Optional Interfaces
  - IEEE 488.2 SCPI (GPIB) Multi-Drop
  - LXI** Compliant LAN
- LabView® and LabWindows® drivers
- Five Year Warranty

Worldwide Safety Agency Approvals; CE Mark for LVD and EMC Regulation



## Applications

Genesys™ power supplies have been designed to meet the demands of a wide variety of applications. System Designers will appreciate new, standard, remote programming features such as Global commands. Also, new high-speed status monitoring is available for the RS-485 bus.

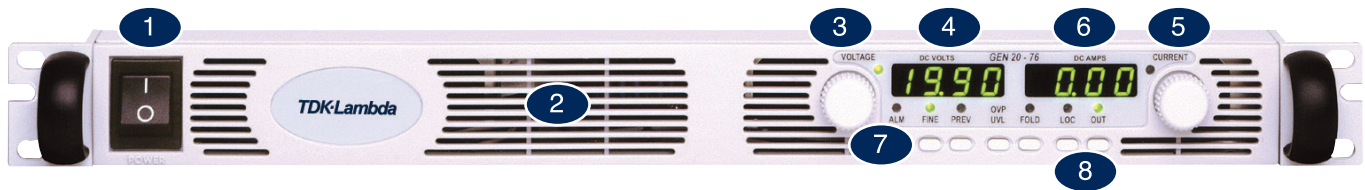
Test Systems using the IEEE-488 bus may achieve significant cost savings by incorporating the Optional IEEE Multi-Drop Interface for a Master and up to 30 RS-485 Multi-Drop Slaves.

Higher power systems can be configured with up to four 2.4kW modules. Each module is 1U with zero space between them (zero stack).

Flexible configuration is provided by the complete Genesys™ Family: 1U 750W Half-Rack, 1U 750W and 1500W Full-Rack, 2U 3.3kW & 5kW. All are identical in Front Panel, Rear Panel Analog, and all Digital Interface Commands. A wide variety of outputs allows testing of many different devices.

OEM Designers have a wide variety of Inputs and Outputs from which to select depending on application and location.

### Front Panel Description



1. ON/OFF Switch
2. Air Intake allows zero stacking for maximum system flexibility and power density.
3. Reliable encoder controls Output Voltage, Address, OVP and UVL settings.
4. Volt Display shows Output Voltage and directly displays OVP, UVL and Address settings.
5. Reliable encoder controls Output Current, sets baudrate and Advanced Parallel mode.
6. Current Display shows Output Current and displays Baud rate. Displays total current in Parallel Master/Slave Mode
7. Function/Status LEDs:

- Alarm
- Fine Control
- Preview Settings
- Foldback Mode
- Remote Mode
- Output On

8. Pushbuttons allow flexible user configuration

8. Pushbuttons allow flexible user configuration

- Coarse and Fine adjustment of Output Voltage/Current and Advanced Parallel Master or Slave select.
- Preview settings and set Voltage/Current with Output OFF, Front Panel Lock
- Parallel Master/Slave
- Set OVP and UVL Limits
- Set Current Foldback Protection
- Go to Local Mode and select Address and Baud rate
- Output ON/OFF and Auto-Re-Start/Safe-Start Mode

### Rear Panel Description



1. Remote/Local Output Voltage Sense Connections.
2. DIP Switches select 0-5V or 0-10V Programming and other functions.
3. DB25 (Female) connector allows (Non-isolated) Analog Program and Monitor and other functions.
4. RS-485 OUT to other Genesys™ Power Supplies.
5. RS-232/RS-485 IN Remote Serial Programming.
6. Output Connections: Rugged busbars (shown) for up to 100V Output; wire clamp connector for Outputs >100V.
7. Exit air assures reliable operation when zero stacked.
8. Input: 230VAC Single Phase (shown), 208 VAC Three Phase, 50/60 Hz AC Input Connector: Phoenix P/N: FRONT-4-H-7.62.
9. Optional Interface Position for IEEE 488.2 SCPI (shown) or Isolated Analog Interface or LAN Interface.
10. Auxiliary Output Voltage Connector. Phoenix P/N: IMC1.5/7-ST-3.81

Specifications in blue are improved

### 1.0 MODEL

MODEL	GEN	8-300	10-240	16-150	20-120	30-80	40-60	60-40	80-30	100-24	150-16	300-8	600-4
1. Rated output voltage (*1)	V	8	10	16	20	30	40	60	80	100	150	300	600
2. Rated Output Current (*2)	A	300	240	150	120	80	60	40	30	24	16	8	4
3. Rated Output Power	W	2400	2400	2400	2400	2400	2400	2400	2400	2400	2400	2400	2400

### 1.1 CONSTANT VOLTAGE MODE

1. Max. line regulation (0.01% of rated Vo+2mV) (*6)	mV	2.8	3	3.5	4	5	6	8	10	12	17	32	62
2. Max load regulation (0.015% of rated Vo+5mV) (*7)	mV	6.2	6.5	7.25	8	9.5	11	14	17	20	27.5	50	95
3. Ripple and noise p-p 20MHz (*8)	mV	50	50	50	50	55	55	60	60	70	90	150	240
4. Ripple r.m.s 5Hz~1MHz	mV	6	6	6	6	6	6	6	7	10	20	45	60
5. Remote sense compensation/wire	V	2	2	2	2	5	5	5	5	5	5	5	5
6. Temp. coefficient	PPM/°C	50PPM/°C of rated output voltage, following 30 minutes warm-up											
7. Temp. stability		0.01% of rated Vout over 8hrs interval following 30 minutes warm-up. Constant line, load & temp.											
8. Warm-up drift		Less than 0.05% of rated output voltage+2mV over 30 minutes following power On.											
9. Up-prog. response time, 0~Vo Rated (*9)	mS	15											
10. Down-prog response time	Full-load (*9)	10	10	20	20	20	20	30	40	40	60	80	100
	No-load (*10)	500	500	500	500	600	700	1100	1200	1500	2500	3000	3000
11. Transient response time	mS	Time for output voltage to recover within 0.5% of its rated output for a load change 10~90% of rated output current. Output set-point: 10~100%, local sense. Less than 1mSec for models up to and including 100V. 2msec for models above 100V											

### 1.2 CONSTANT CURRENT MODE

1. Max. line regulation (0.01% of rated Io+2mA) (*6)	mA	32	26	17	14	10	8	6	5	4.4	3.6	2.8	2.4
2. Max load regulation (0.02% of rated Io+5mA) (*11)	mA	65	53	35	29	21	17	13	11	9.8	8.2	6.6	5.8
3. Ripple r.m.s 5Hz~1MHz. (*12)	mA	700	500	400	250	150	90	60	40	30	12	10	5
4. Load regulation thermal drift		Less than 0.1% of rated output current over 30 minutes following load change.											
5. Temp. coefficient	PPM/°C	70PPM/°C from rated output current, following 30 minutes warm-up.											
6. Temp. stability		0.01% of rated Iout over 8hrs. interval following 30minutes warm-up. Constant line, load & temperature.											
7. Warm-up drift		8V~20V models: Less than ±0.5% of rated output current over 30 minutes following power On.											
		30V~600V models: Less than ±0.25% of rated output current over 30 minutes following power On.											

### 1.3 PROTECTIVE FUNCTIONS

1. OCP	0~105% Constant Current
2. OCP Foldback	Output shut down when power supply change from CV to CC. User selectable.
3. OVP type	Inverter shut-down, manual reset by AC input recycle or by OUT button or by communication port command.
4. OVP trip point	0.5~10V   0.5~12V   1~18V   1~24V   2~36V   2~44V   5~66V   5~88V   5~110V   5~165V   5~330V   5~660V
5. Output Under Voltage Limit	Preset by front panel or communication port. Prevents from adjusting Vout below limit.
6. Over Temp. Protection	User selectable, latched or non-latched.

### 1.4 ANALOG PROGRAMMING AND MONITORING

1. Vout Voltage Programming	0~100%, 0~5V or 0~10V, user select. Accuracy and linearity: ±0.5% of rated Vout.
2. Iout Voltage Programming (*13)	0~100%, 0~5V or 0~10V, user select. Accuracy and linearity: ±1% of rated Iout.
3. Vout Resistor Programming	0~100%, 0~5/10Kohm full scale, user select. Accuracy and linearity: ±1% of rated Vout.
4. Iout Resistor Programming (*13)	0~100%, 0~5/10Kohm full scale, user select. Accuracy and linearity: ±1.5% of rated Iout.
5. On/Off control (rear panel)	By electrical. Voltage: 0~0.6V/2~15V, or dry contact, user selectable logic.
6. Output Current monitor (*13)	0~5V or 0~10V, Accuracy: ±1%, user selectable.
7. Output Voltage monitor	0~5V or 0~10V, Accuracy: ±1%, user selectable.
8. Power Supply OK signal	TTL high (4~5V) -OK, 0V-Fail 500ohm series resistance.
9. CV/CC Indicator	Open collector, CC mode: On, CV mode: Off, Maximum voltage: 30V, maximum sink current: 10mA
10. Enable/Disable	Dry contact. Open: off, Short: on. Max. voltage at Enable/Disable in: 6V.
11. Local/Remote analog control	By electrical signal or Open/Short: 0~0.6V or short: Remote, 2~15V or open: Local.
12. Local/Remote analog control Indicator	Open collector, Local: Off, Remote: On. Maximum voltage: 30V, maximum sink current: 10mA.

### 1.5 FRONT PANEL

1. Control functions	Vout/ Iout manual adjust by separate encoders (coarse and fine adjustment selectable).
	OVP/UVL manual adjust by Volt. Adjust encoder.
2. Display	On/Off, Output on/off, Re-start modes (auto, safe), Foldback control (CV to CC), Go to local control.
	Address selection by Voltage (or current) adjust encoder. Number of addresses: 31.
	Re-start modes (automatic restart, safe mode).
	Baud rate selection: 1200, 2400, 4800, 9600 and 19,200.
3. Indications	Voltage: 4 digits, Accuracy: 0.05% of rated output Voltage ±1 count.
	Current: 4 digits, Accuracy: 0.2% of rated output current ±1 count.
	Voltage, Current, Alarm, Fine, Preview, Foldback, Local, Output On, Front Panel Lock, CVCC.

### 1.6 Interface Specifications for the GENESYS Series with RS-232/RS-485 Or Optional GPIB/LAN Interface Installed

1. Remote Voltage Programming (16 bit)	V	8	10	15	20	30	40	60	80	100	150	300	600
Resolution (0.002% of Vo Rated)	mV	0.16	0.2	0.3	0.4	0.6	0.8	1.2	1.6	2	3	6	12
Accuracy (0.05% of Vo Rated) (*14)	mV	4	5	8	10	15	20	30	40	50	75	150	300
2. Remote Current Programming (16 bit)	mA	6	4.80	3.00	2.40	1.60	1.20	0.80	0.60	0.48	0.32	0.16	0.08
Resolution (0.002% of Io Rated)	mA	900	720	450	360	240	180	120	90	72	48	24	12
Accuracy (0.2% of Io Rated+0.1% of Io Actual Output) (*13)	mA	900	720	450	360	240	180	120	90	72	48	24	12
3. Readback Voltage	%	0.002	0.011	0.007	0.006	0.004	0.003	0.002	0.002	0.011	0.007	0.004	0.002
Resolution (% of Vo Rated)	mV	0.16	1.10	1.05	1.20	1.20	1.20	1.20	1.60	11.00	10.50	12.00	12.00
Resolution (Readback Voltage)	mV	4	5	8	10	15	20	30	40	50	75	150	300
Accuracy (0.05% of Vo Rated)	mV	4	5	8	10	15	20	30	40	50	75	150	300
4. Readback Current	%	0.004	0.005	0.007	0.009	0.002	0.002	0.003	0.004	0.005	0.007	0.002	0.003
Resolution (% of Io Rated)	mA	12	12	10.5	10.8	1.6	1.2	1.2	1.2	1.2	1.120	0.160	0.120
Resolution (Readback Current)	mA	900	720	450	360	240	180	120	90	72	48	24	12
Accuracy (0.3% of Io Rated) (*13)	mA	900	720	450	360	240	180	120	90	72	48	24	12
5. OVP/UVL Programming	mV	8	10	15	20	30	40	60	80	100	150	300	600
Resolution (0.1% of Vo Rated)	mV	80	100	150	200	300	400	600	800	1000	1500	3000	6000
Accuracy (1% of Vo Rated)	mV	80	100	150	200	300	400	600	800	1000	1500	3000	6000

\*1: Minimum voltage is guaranteed to maximum 0.2% of rated output voltage.  
 \*2: Minimum current is guaranteed to maximum 0.4% of rated output current.  
 \*3: For cases where conformance to various safety standards (UL, IEC, etc.) is required, to be described as 190-240Vac (50/60Hz) for 3-Phase 208V models.  
 \*4: 3-Phase 208V models: At 208Vac input voltage. With rated output power.  
 \*5: Not including EMI filter inrush current, less than 0.2mSec.  
 \*6: 3-Phase 208V models: 170~265Vac, constant load.  
 \*7: From No-Load to Full-Load, constant input voltage. Maximum drop in Remote Sense.  
 \*8: For 8V~300V models: Measured with JEITA RC-9131A (1:1) probe. For 600V model: Measured  
 \*9: From 10% to 90% or 90% to 10% of Rated Output Voltage, with rated, resistive load with 10:1 probe.

\*10: From 90% to 10% of Rated Output Voltage.  
 \*11: For load voltage change, equal to the unit voltage rating, constant input voltage.  
 \*12: For 8V~16V models the ripple is measured from 2V to rated output voltage and rated output current. For other models, the ripple is measured at 10~100% of rated output voltage and rated output current.  
 \*13: The Constant Current programming readback and monitoring accuracy does not include the warm-up and Load regulation thermal drift.  
 \*14: Measured at the sensing point.

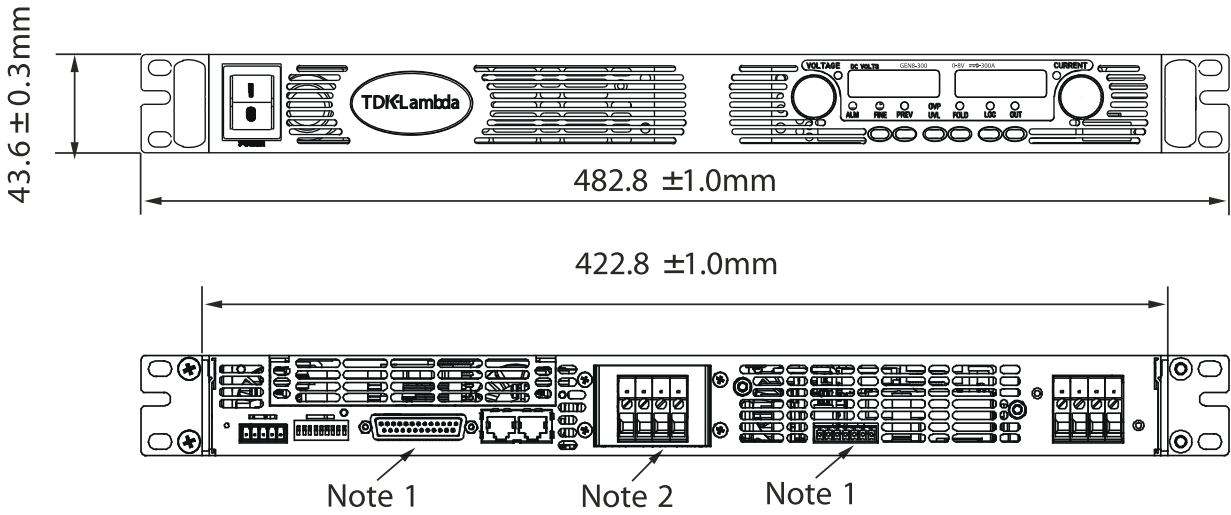
General Specifications Genesys™ 2.4kW

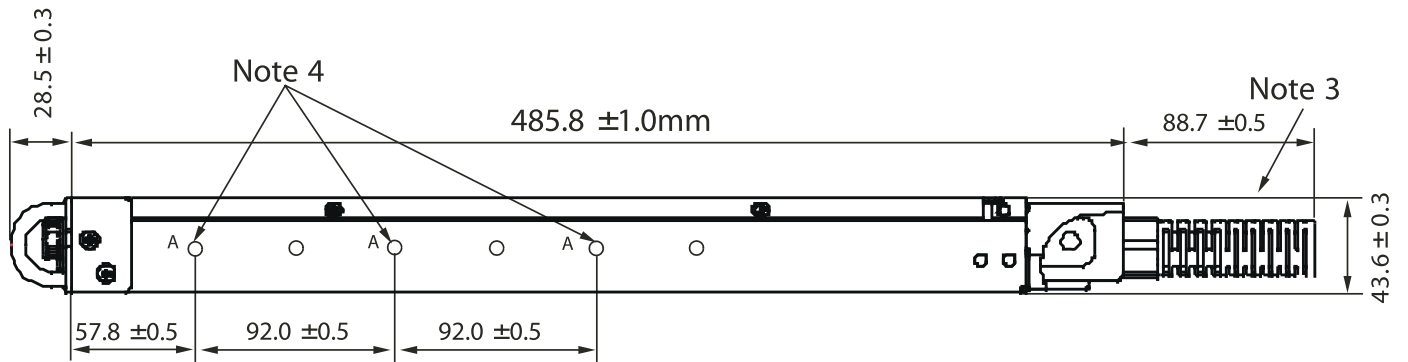
2.1 INPUT CHARACTERISTICS		GEN	8-300	10-240	16-150	20-120	30-80	40-60	60-40	80-30	100-24	150-16	300-8	600-4
1. Input voltage/freq. (*3)		VAC	Single Phase,230V models: 170~265Vac, 47~63Hz 3-Phase, 208V models: 170~265Vac, 47~63Hz											
2. Maximum Input current at 100% load	Single Phase,230V models: 3-Phase, 208V models:	A	17.3	17.3	17.3	16.8	16.6	16.6	16.6	16.6	16.6	16.6	16.6	16.6
3. Power Factor (Typ)			10.5	10.5	10.5	10.2	10.1	10.1	10.1	10.1	10.1	10.1	10.1	10.1
4. Efficiency (*4)		%	84	84	86	86	86	88	88	88	88	88	88	87
5. Inrush Current (*5)		A	Single-Phase and 3-Phase 208V models: Less than 50A											
<b>2.2 POWER SUPPLY CONFIGURATION</b>														
1. Parallel Operation	Up to 4 identical units in master/slave mode													
2. Series Operation	Up to 2 identical units. with external diodes. 600V Max to Chassis ground													
<b>2.3 ENVIRONMENTAL CONDITIONS</b>														
1. Operating temp	0~50°C, 100% load.													
2. Storage temp	-20~85°C													
3. Operating humidity	20~90% RH (non-condensing).													
4. Storage humidity	10~95% RH (non-condensing).													
5. Vibration	MIL-810F, method 514.5 , The EUT is fixed to the vibrating surface.													
6. Shock	Less than 20G , half sine , 11mSec. Unit is unpacked.													
7. Altitude	Operating: 10000ft (3000m), Derate output current by 2%/100m above 2000m, Alternatively, derate maximum ambient temp. by 1°C/100m above 2000m. Non operating: 40000ft (12000m).													
8. RoHS Compliance	Complies with the requirements of RoHS directive.													
<b>2.4 EMC</b>														
1.Applicable Standards:														
2.ESD	IEC1000-4-2. Air-disch.-8KV, contact disch.-4KV													
3.Fast transients	IEC1000-4-4. 2KV													
4.Surge immunity	IEC1000-4-5. 1KV line to line, 2KV line to ground													
5.Conducted immunity	IEC1000-4-6, 3V													
6.Radiated immunity	IEC1000-4-3, 3V/m													
7.Magnetic field immunity	EN61000-4-8, 1A/m													
8.Voltage dips	EN61000-4-11													
9.Conducted emission	EN55022A, FCC part 15-A, VCCI-A.													
10. Radiated emission	EN55022A, FCC part 15-A, VCCI-A.													
<b>2.5 SAFETY</b>														
1.Applicable standards:	UL 60950-1, CSA 22.2 No. 60950-1,IEC 60950-1, EN 60950-1													
2.Interface classification	Models with Vout 50V: Output is SELV, all communication/control interfaces: RS232/485, IEEE, Isolated Analog,LAN, Sense, Remote Programming and Monitoring, 5V d.c. auxiliary output are SELV Models with 60V Vout 400V: Output is Hazardous, communication/control interfaces: RS232/485, IEEE,Isolated Analog, LAN, Remote Programing and Monitoring (pins 1-3, pins14-16), 5V d.c. auxiliary output are SELV, Sense, Remote Programming and Monitoring (pins 8-13, pins 21-25),15V auxiliary output are Hazardous. Models with 400V Vout 600V: Output is Hazardous, all communication/control interfaces-RS232/485, IEEE, Isolated Analog, LAN, Sense, Remote Programming and Monitoring (all pins), 5V d.c./15V d.c. auxiliary outputs are Hazardous.													
3.Withstand voltage	Vout 50V models: Input-Output/communication/control/auxiliary outputs (SELV): 4242VDC 1min, Input-Ground: 2828VDC 1min., Output/communication/control/auxiliary outputs (SELV)-Ground: 1000VDC 1min. 60V Vout 100V models: Input-Output/15V d.c. auxiliary output/communication/control (Hazardous): 2600VDC 1min, Input-communication/control/5V d.c. auxiliary output (SELV):4242VDC 1min, Output/15V d.c. auxiliary output/communication/control (Hazardous): -communication/control/5V d.c. auxiliary output (SELV): 1900VDC 1min,Output/15V d.c. auxiliary output/communication/control (Hazardous): -Ground: 1200VDC 1min,Input-Ground: 2828VDC 1min. 100V Vout 600V models: Input-Output/15V d.c. auxiliary output/communication/control (Hazardous): 4000VDC 1min, Input-communication/control/5V d.c. auxiliary output (SELV):4242VDC 1min, Output/15V d.c. auxiliary output/communication/control (Hazardous): -communication/control/5V d.c. auxiliary output (SELV):3550VDC 1min, Output/15V d.c. auxiliary output/communication/control (Hazardous): -Ground: 2670VDC 1min, Input-Ground: 2828VDC 1min.													
3.Insulation resistance	More than 100Mohm at 25°C , 70% RH.													
<b>2.6 MECHANICAL CONSTRUCTION</b>														
1. Cooling	Forced air flow: from front to rear. No ventilation holes at the top or bottom of the chassis; Variable fan speed.													
2. Dimensions (WxHxD)	W: 423mm, H: 43.6mm, D: 441mm (excluding connectors, encoders, handles, etc.)													
3. Weight	Less than 10 kg.													
4. AC Input connector (with Protective Cover)	Single Phase,230V models, Power Combicon PC 6-16/3-GF-10,16 series, with Strain relief. 3-Phase, 208V & 400V models, Power Combicon PC 6-16/4-GF-10,16 series, with Strain relief.													
5.Output connectors	8V to 100V models: Bus-bars (hole Ø 10.5mm). 150V to 600V models: wire clamp connector, Phoenix P/N: FRONT-4-H-7.62													
<b>2.7 AUXILIARY OUTPUTS</b>														
1. 15V Output (*8)	15V± 5%, 0.2A Max Load, Ripple & Noise 100mVp-p. referenced internally to the negative output potential.													
2. 5V Output	5V± 5%, 0.2A Max Load, Ripple & Noise 100mVp-p. referenced internally to IF_COM potential.													
<b>2.8 RELIABILITY SPECS</b>														
1. Warranty	5 years.													

All specifications subject to change without notice.



Outline Drawing Genesys™ 2.4kW Units





NOTE

- 1. Mating plug supplied with power supply.
- 2. Bus bars for 8V to 100V models. See Detail
- 2. Ac cable strain relief supplied with power supply.
- 4. Chassis slides mounting holes #10-32 marked "A".

GENERAL DEVICES P/N: CC3001-00-5160 or equivalent.

## Genesys™ Power Parallel and Series Configurations

### Parallel operation - Master/Slave:

Active current sharing allows up to four identical units to be connected in an auto-parallel configuration for four times the output power.

In Advanced Parallel Master/Slave Mode, total current is programmed and reported by the Master, Up to four supplies act as one.

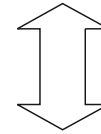
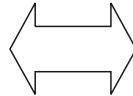


### Series operation

Up to two units may be connected in series to increase the output voltage or to provide bipolar output. (Max 600V to Chassis Ground).

### Remote Programming via RS-232 & RS-485 Interface

Standard Serial Interface allows daisy-chain control of up to 31 power supplies on the same communication bus with built-in RS-232 & RS-485 Interface.



## Programming Options (Factory installed)

### Digital Programming via IEEE Multi-Drop Interface

P/N: IEEE

- Allows IEEE Master to control up to 30 slaves over RS-485 daisy-chain
- Only the Master needs be equipped with IEEE Interface
- IEEE 488.2 SCPI Compliant
- Program Voltage
- Measure Voltage
- Over Voltage setting and shutdown
- Error and Status Messages

- Program Current
- Measure Current
- Current Foldback shutdown

### Isolated Analog Programming

Four Channels to Program and Monitor Voltage and Current. Isolation allows operation with floating references in harsh electrical environments. Choose between programming with Voltage or Current. Connection via removable terminal block: Phoenix MC1,5/8-ST-3.81.

- Voltage Programming, user-selectable 0-5V or 0-10V signal.  
Power supply Voltage and Current Programming Accuracy  $\pm 1\%$   
Power supply Voltage and Current Monitoring Accuracy  $\pm 1.5\%$
- Current Programming with 4-20mA signal.  
Power supply Voltage and Current Programming Accuracy  $\pm 1\%$   
Power supply Voltage and Current Monitoring Accuracy  $\pm 1.5\%$

P/N: IS510

P/N: IS420

### LAN Interface LXI Compliant to Class C

P/N: LAN

- Meets all LXI-C Requirements
- Address Viewable on Front Panel
- Fixed and Dynamic Addressing
- Compatible with most standard Networks
- VISA & SCPI Compatible
- LAN Fault Indicators
- Auto-detects LAN Cross-over Cable
- Fast Startup



**Power Supply Identification / Accessories**

**How to order**

<b>GEN</b>	<b>8</b>	<b>-</b>	<b>300</b>	<b>-</b>	<b>-</b>
Series Name	Output Voltage (0~8V)	Output Current (0~300A)	Factory Options: Option: IEEE IS510 IS420 LAN	Factory AC Input Options: 1P230 (Single Phase 170~265VAC) 3P208 (Three Phase 170~265VAC)	

**Models 2.4kW**

Model	Output Voltage VDC	Output Current (A)	Output Power (W)
GEN 8-300	0~8V	0~300	2400
GEN 10-240	0~10V	0~240	2400
GEN 16-150	0~16V	0~150	2400
GEN 20-120	0~20V	0~120	2400
GEN 30-80	0~30V	0~80	2400
GEN 40-60	0~40V	0~60	2400

Model	Output Voltage VDC	Output Current (A)	Output Power (W)
GEN 60-40	0~60V	0~40	2400
GEN 80-30	0~80V	0~30	2400
GEN 100-24	0~100V	0~24	2400
GEN 150-16	0~150V	0~16	2400
GEN 300-8	0~300V	0~8	2400
GEN 600-4	0~600V	0~4	2400

Factory option	P/N
RS-232/RS-485 Interface built-in Standard	-
GPIB Interface	IEEE
Voltage Programming Isolated Analog Interface	IS510
Current Programming Isolated Analog Interface	IS420
LAN Interface (Complies with <b>LXI</b> Class C)	LAN

**Accessories**

**1. Serial Communication cable**

RS-232/RS-485 cable is used to connect the power supply to the Host PC.

Mode	RS-485	RS-232	RS-232
PC Connector	DB-9F	DB-9F	DB-25F
Communication Cable	Shield Ground L=2m	Shield Ground L=2m	Shield Ground L=2m
Power Supply Connector	EIA/TIA-568A (RJ-45)	EIA/TIA-568A (RJ-45)	EIA/TIA-568A (RJ-45)
P/N	GEN/485-9	GEN/232-9	GEN/232-25

**2. Serial link cable\***

Daisy-chain up to 31 Genesys™ power supplies.

Mode	Power Supply Connector	Communication Cable	P/N
RS-485	EIA/TIA-568A (RJ-45)	Shield Ground L=50cm	GEN/RJ45

\* Included with power supply



**Also available, Genesys™**  
**1U Half Rack 750W**  
**1U full Rack**  
**750W/1500W/2400W**  
**2U full Rack 3300W/5000W**

## NORTH AMERICA

TDK-Lambda Americas Inc  
405 Essex Rd. Neptune, NJ 07753  
Tel: +1-732-922-9300 Fax: +1-732-922-1441  
E-mail: sales@us.tdk-lambda.com  
www.us.tdk-lambda.com/hp

## UK

TDK-Lambda UK Ltd.  
Kingsley Avenue Ilfracombe, Devon  
EX 34 8ES United Kingdom  
Tel: +44-1271-856666 Fax: +44-1271-864894  
E-mail: powersolutions@uk.tdk-lambda.com  
www.uk.tdk-lambda.com

## FRANCE

TDK-Lambda France SAS  
ZAC des Delaches  
BP 1077 - Gometz le Chatel  
91940 LES ULIS  
Tel: +33 1 60 12 71 65  
Fax: +33 1 60 12 71 66  
E-mail: france@fr.tdk-lambda.com  
www.fr.tdk-lambda.com

## GERMANY

TDK-Lambda Germany GmbH  
Karl-Bold-Str.40,  
D-77855 Achern, Germany  
Tel: +49-7841-666-0 Fax: +49-7841-500-0  
E-mail: info.germany@de.tdk-lambda.com  
www.de.tdk-lambda.com

## AUSTRIA

TDK-Lambda Austria Sales Office  
Aredstrasse 22,  
A - 2544 Leobersdorf, Austria  
Tel: +43-2256-65584 Fax: +43-2256-64512  
E-mail: info.germany@de.tdk-lambda.com  
www.de.tdk-lambda.com

## ITALY

TDK-Lambda Italy Sales Office  
France Sas Succursale Italiana  
Via dei Lavoratori 128/130  
IT 20092 Cinisello Balsamo, Milano, Italy  
Tel: +39-02-6129-3863 Fax: +39-02-6129-0900  
E-mail: info.italia@it.tdk-lambda.com  
www.it.tdk-lambda.com

## ISRAEL

TDK-Lambda Ltd.  
Sales Office: Kibbutz Givat Hashlosha Tel-Aviv 4880000, Israel  
Tel: +972-3-9024-333 Fax: +972-3-9024-777  
Plant: 56 Haharoshet St.,  
Karmiel Industrial Zone 2165158, Israel  
Tel: +972-4-9887-491 Fax: +972- 4-9583-071  
www.tdk-lambda.co.il E-mail: info@tdk-lambda.co.il

## JAPAN

TDK-Lambda Corporation  
International Sales Division  
Nittetsu Bldg. 6F, 1-13-1 Nihonbashi, Chuo-ku, Tokyo 103-0027, Japan  
Tel: +81-3-5201-7175  
Fax: +81-3-5201-7287  
www.tdk-lambda.com

## CHINA

Shanghai Branch of Wuxi TDK-Lambda Electronic Co. Ltd.  
28F, Xingyuan Technology Building No.418, Guiping Road,  
Shanghai, China 200233  
Tel: +86-21-6485-0777 Fax: +86-21-6485-0666  
www. cn.tdk-lambda.com

Beijing Branch of Wuxi TDK-Lambda Electronic Co. Ltd.  
Room 12B11-12B12, Unit 7 DACHENG SQUARE, No.28  
Xuanwumenxi Street, Xuanwu District Beijing, 100053, CHINA  
Tel: +86-10-6310-4872 Fax: +86-10-6310-4874  
www. cn.tdk-lambda.com

Shenzhen Branch of Wuxi TDK-Lambda Electronics Co.Ltd.  
Room 4302, Excellence Times Square Building,  
4068 Yi Tian Road, Futian District,  
Shenzhen, China 518048  
Tel: +86 -755-83588261 Fax: +86 -755-83588260  
www. cn.tdk-lambda.com

## KOREA

TDK-Lambda Corporation Seoul Office  
8F Songnam Bldg, 1358-6, Seocho-Dong,  
Seocho-Gu, Seoul, 137-862 KOREA  
Tel: +82-2-3473-7051  
Fax: +82-2-3472-9137  
www.tdk-lambda.co.kr

## SINGAPORE

TDK-Lambda Singapore Pte.Ltd.  
Blk 1008 Toa Payoh North # 07-01/03  
Singapore 318996  
Tel: +65-6251-7211 Fax: +65-6250-9171  
www.tdk-lambda.com.sg

## INDIA

TDK-Lambda Bangalore Office  
TDK - LAMBDA Singapore Pte Ltd (India Branch)  
No.989, 1st Cross, 2nd Floor, 13th Main,  
HAL 2nd Stage, Bangalore, Karnataka, India - 560 008  
Tel: +91-80-43550 500  
Fax: +91-80-43550 501  
www.tdk-lambda.com.sg

## MALAYSIA

TDK-Lambda Malaysia Sdn. Bhd.  
c/o TDK (Malaysia) Sdn Bhd  
Lot 709, Nilai Industrial Estate 71800 Nilai  
Negeri Sembilan, Malaysia  
Tel: + 60 6-799 1130  
Fax: + 60 6 799 3277  
www.tdk-lambda.com.my



TDK-Lambda EMEA  
www.emea.tdk-lambda.com