

# ConstantColor™ CMH Precise™ MR16

## New Generation 20W GX10 TAL

### Excellent efficiency - 20W HID source

- Up to 2-3 times as efficient as halogen

### Twist and Lock Base Design

- Provides secure alignment
- Easy installation
- Robust base reduces annoying pin degradation

### Great Color

- CRI 80+
- 3000K Color Temperature

### Superior optical design

- MR16 Reflector for maximum beam control
- Available in 12° Spot, 25° Flood and 40° Wide Flood

### Very Long Life

When we miniaturize,  
we don't compromise



GE imagination at work

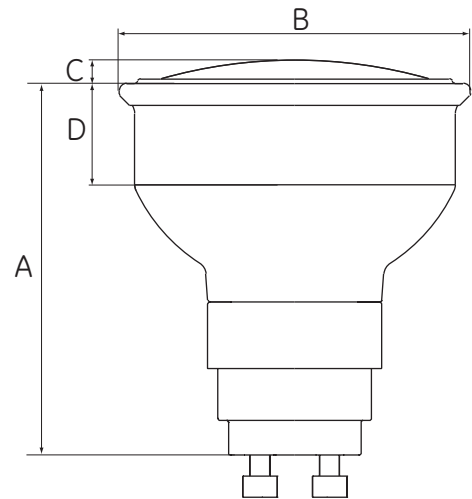
# ConstantColor™ CMH Precise™ MR16

## Product Information

Product Code	Description
40400	CMH20/MR16/UVC/830/GX10/SP
40401	CMH20/MR16/UVC/830/GX10/FL
42691	CMH20/MR16/UVC/830/GX10/WFL

## Physical Characteristics

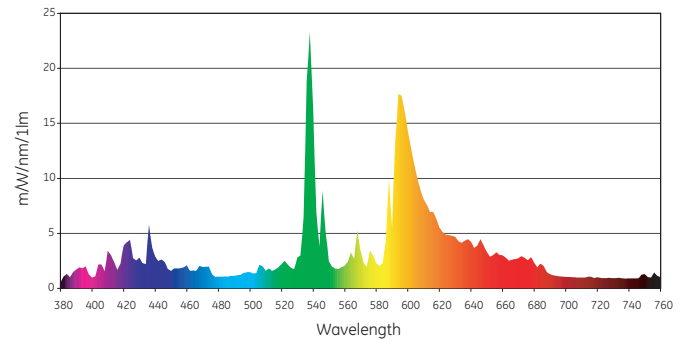
Lamp Wattage	20W
Bulb Designation	MR16
Base Type	GX10 Twist and lock
Burn Position	Universal
Rated Life at Launch	9000 h
Design Life	12000 h
Initial Lumens	1000
CBCP - 12° Spot	9000 cd
CBCP - 25° Flood	2900 cd
CBCP - 40° Wide Flood	1500 cd
CCT	3000K
CRI	80+
Volts	90
Max. Base Temp.	200° C
Max. Bulb Temp.	200° C
MOL	58mm
Fixture Requirement	Open Rated
Max. Fixture Voltage rise	5 volts



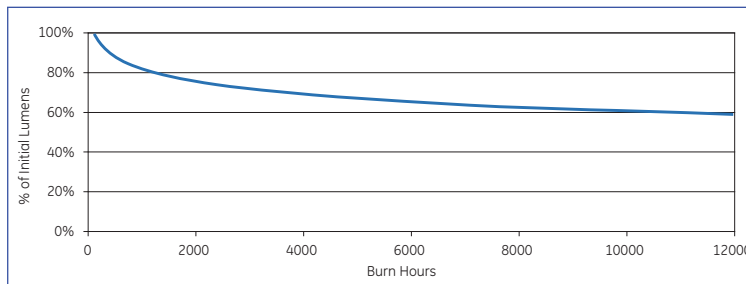
## Dimensions

A	54.5mm
B	51mm
C	3.5mm
D	14mm

## Spectral Power Distribution 3000 K



## CMH Precise 20W MR16 - Lumen Maintenance



## Lamp Survival

